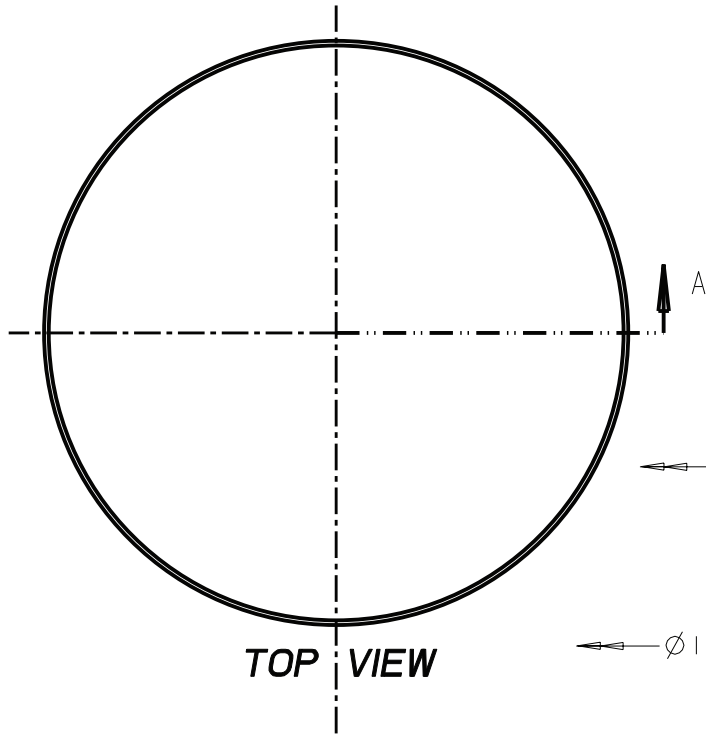




103253

38-400 White PP Continous Thread Closure with F217 Foam Liner

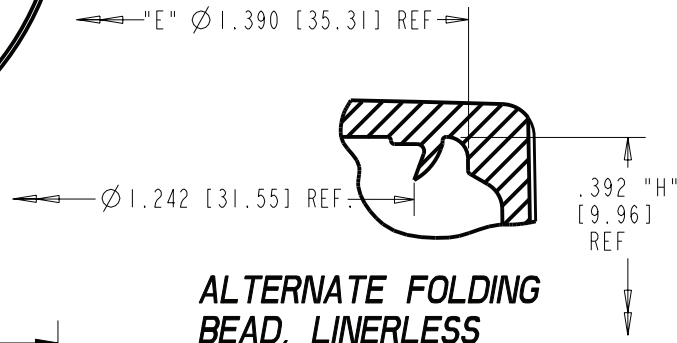
K.G. International - sales@kgint.com - +1 305 499-9816



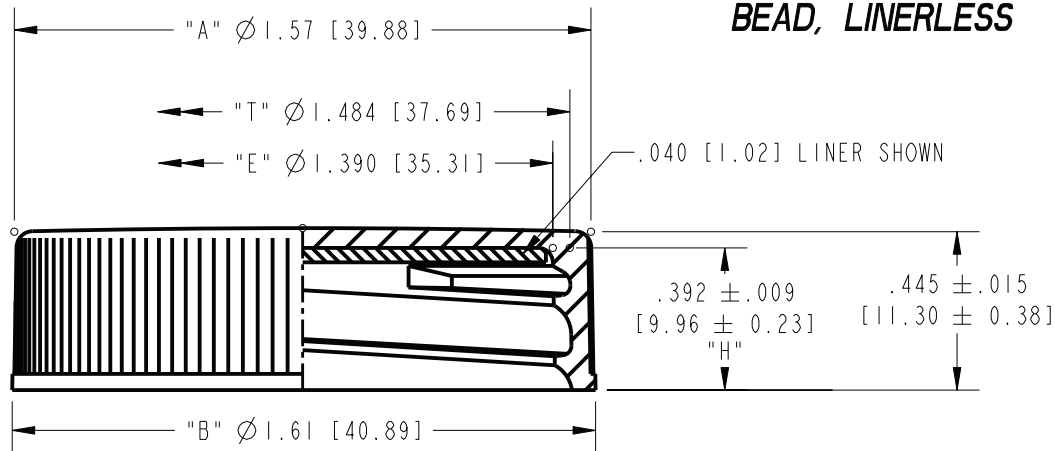
TOP VIEW

NOTES:

1. 1.25 TURNS OF 6-PITCH THREAD
2. DIAMETERS TO BE INTERPRETED AS AVERAGE
3. 120 KNURLS: .008 [0.20] DEEP
4. TOLERANCES UOS: 3 PLACE DECIMALS $\pm .007$ [0.18]
2 PLACE DECIMALS $\pm .015$ [0.38]
5. AVAILABLE LINED OR LINERLESS
6. FOR THE LINERLESS CRAB CLAW OPTION, THE
MAXIMUM BOTTLE ID IS $\varnothing 1.230$ [31.24]
7. METRIC DIMENSIONS SHOWN IN BRACKETS IN [mm]



**ALTERNATE FOLDING
BEAD, LINERLESS**



SECTION A